

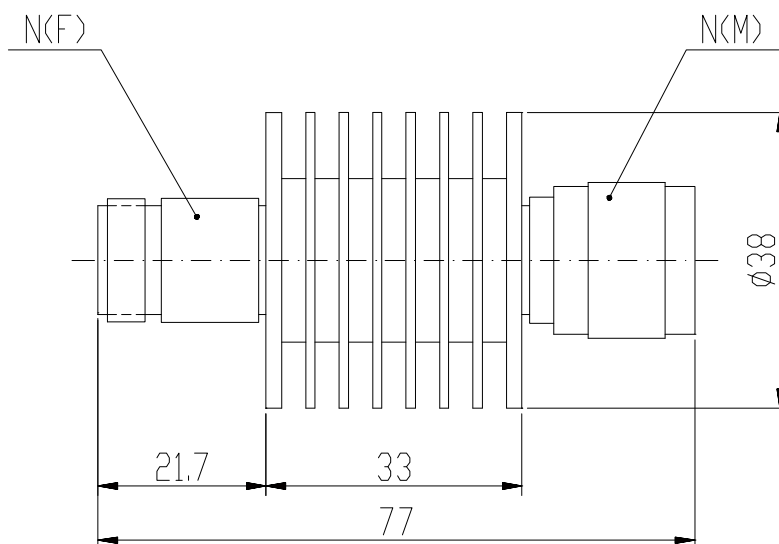


# 10W N TYPE FIXED ATTENUATOR (DC-6G)

Specification of 10W N Type Fixed Attenuator (DC-6G):

Item	Specification			
Model	JTD-ATT-10W-6GN/XX			
Frequency Range	DC-6G			
VSWR	≤1.25			
Attenuation	5dB	6dB	10dB	20dB
Accuracy	±0.3dB			±0.6dB
Power	10 W			
Impedance	50 Ω			
Weight	115g			
Connector Type	N/Male to N/Female			
Operating Temperature	-55~+125°C			
Waterproofing	IP65			
Figure Size	Down Drawing			

Production Drawing:



Note: The picture and the specification are just for reference. Be subject to the actual products if anything different or updated, please pardon for without notice.

